

V 1.0 - 102024



PeopleLink Speaker Track Pro

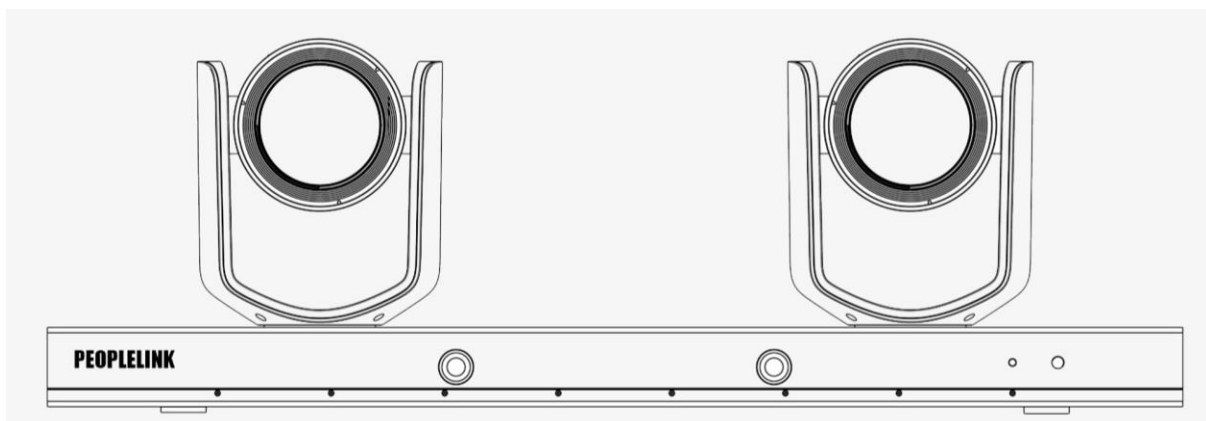
key Features

- 1/2.8" CMOS, 2.14MP
- 12x optical zoom, up to 72.5° FoV
- Simultaneously output 3G-SDI, HDMI, Ethernet, up to 1080P60 resolution
- Support H.264 / H.265 video compression
- Implemented with both audio positioning body recognition technologies, it can precisely frame the speaker(s)
- Automatically switch between close-up image for speaker(s) and wide-angle image for all attendees
- Built-in image according to meeting scenarios



Watch Video 

PeopleLink Speaker Track camera helps to achieve an intelligent meeting experience, and it is implemented with both audio positioning and intelligent video analysis technologies. It can automatically switch between a close-up image and a full-view image to frame the speaker(s). This frees up camera operation during a meeting and enables meeting attendees to focus more on discussion.



General Specifications

Camera

- Image Sensor** : 1/2.8" CMOS, 2.14MP
- Signal Format (SDI)** : 1080P60, 1080P50, 1080P30, 1080P25, 1080I60, 1080I50, 720P60, 720P50
- Focal length** : 3.9mm-46.8mm
- Iris** : F1.6-F2.8
- Optical Zoom** : 12x
- Digital Zoom** : 12x
- Field of View** : 72.5°-6.3°
- Focus** : Auto, Manual, PTZ Push, One Push
- Min. Illumination** : 0.5 Lux (Color), 0.1 Lux (B/W)
- Shutter Speed** : 1/25-1/10,000s
- AGC** : Auto/Manual
- White Balance** : Auto, Indoor, Outdoor, One Push Manual, Auto Track
- AE Control** : Auto, Manual, Shutter Priority, Iris Priority
- S/N** : ≥50dB
- DNR** : 2D/3D
- BLC** : Support
- Pan Range** : 90°~+90°
- Tilt Range** : -30°~+90°
- Pan Speed** : 0.1°~120°/s
- Tilt Speed** : 0.1°~80°/s
- Preset Number** : 255
- OSD** : Yes
- Image Flip** : Yes

Network

- Max. Image Size** : 1920 × 1080 @60 fps
- Video Compression** : H.265,H.264
- Audio Compression** : AAC
- Protocol** : HTTP, RTSP, RTMP, RTP, TCP, UDP, ONVIF
- Dual Stream** : Support

Interface

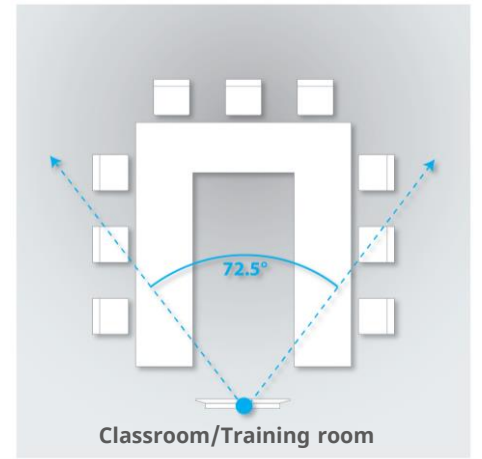
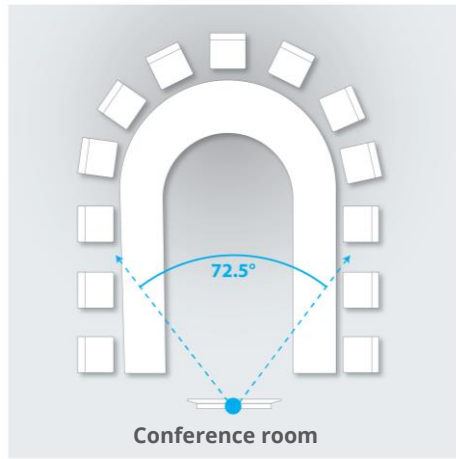
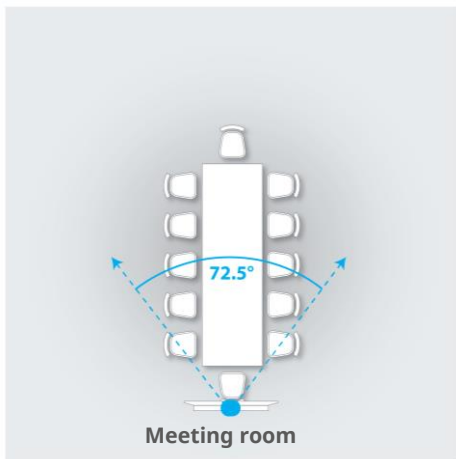
- Video Output** : 1 × HDMI Interface, 1×3G-SDI Interface
- Audio Input** : 2 × LINE IN, including one channel with EC
- Audio Output** : 1 × LINE OUT
- Network Interface** : 1 × 10M/100M
- USB Interface** : 1 × USB2.0
- Control Interface** : 1 × RS-232

General Specifications

- Control Protocol** : VISCA, PELCO-P, PELCO-D
- Address** : 0~63
- Power Supply** : DC12V
- Power Consumption** : <50W
- Working Temp** : 0°C ~ + 40°C
- Storage Temp** : -20°C ~ +60°C
- Dimension (LxWxH)** : 500 mm x 162mm x 137mm
- Weight** : 3kg

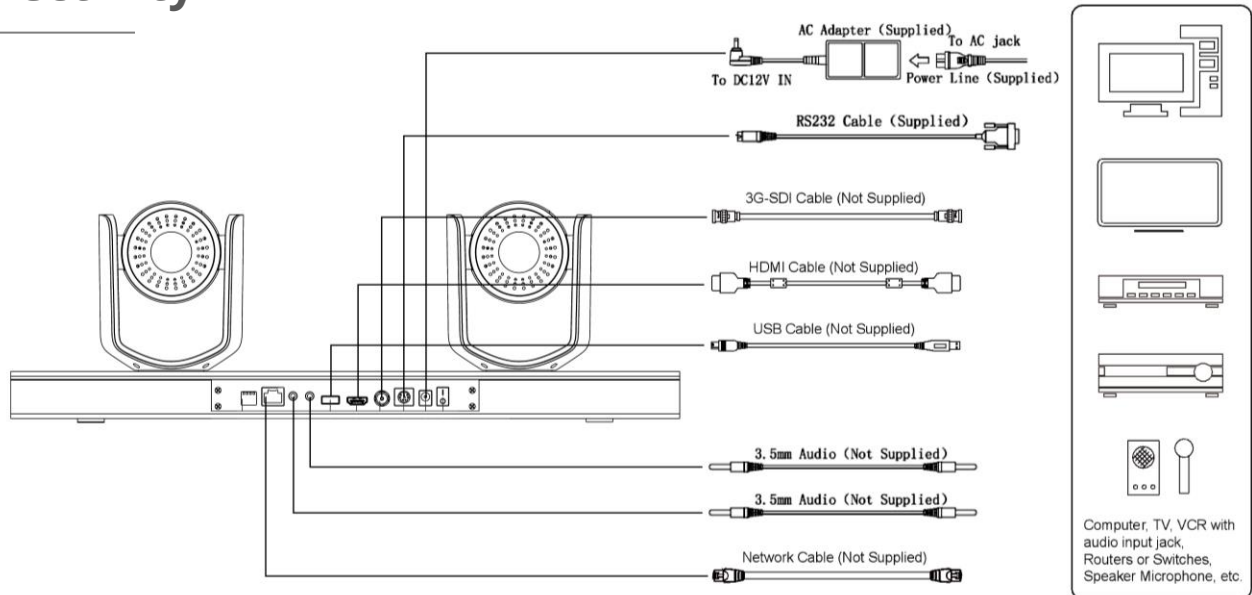


Application Scenarios



Disclaimer:- Room setup diagrams are provided for reference only. Actual room setup and size may vary as per requirements.

Connectivity



Ordering Information

Speaker Track Pro Camera
Dual motorized PTZ Camera with HDMI Capture Card

: **PEP-PIS-STP**

Speaker Track Standard Camera
Dual motorized PTZ Camera without HDMI Capture Card

: **PEP-PIS-STS**

LEARN MORE

For more information on Speaker Track Pro [Click Here](#)

SALES AND INQUIRIES

Global Headquarters

Q3-A3, 10th Floor Cyber Towers,
HITEC City, Hyderabad,
Telangana 500081, **India**
Phone: +91 9100123013
Email: vc@peoplelinkvc.com

International Contact Numbers

USA: +1 669-696-8383
Australia: +61 370 037070
France: +33 6 80 75 26 42
Middle East: +966 5300 19292
UK: +44 20 4571 5454

UAE: +971 4 3339082
Canada: +1 647-945-7373
Malaysia: +(6)018-2872188
New Zealand: +64-9-802-4666
Africa: +254 107 529 656

Tech Support

Toll Free: 1800 208 3399
customersupport@peoplelinkvc.com