



PeopleLink Impact Digital Array Microphone



The **PeopleLink Impact Digital Array Microphone** features a high SNR ring microphone array, enabling clear long-distance pickup and allowing speakers to move freely without constraints. Utilizing blind beamforming technology, it offers precise positioning and voice enhancement, improving anti-interference in adaptive sound environments. Equipped with smart audio algorithms, the microphone delivers clear, natural sound through advanced features like voice tracking, intelligent noise reduction, echo cancellation, automatic gain control, and de-reverberation. With PoE cascading, it ensures even sound coverage for large conference rooms, and its flexible design allows for seamless integration into various environments, supporting easy installation and customization.

Key Features

- Digital Array Microphone
- Blind Beamforming; Automatic Alignment to Speaker
- Smart Audio Algorithms; Clear Natural Sound
- PoE Cascading; Even Coverage of Conference Room Pickup
- Standard Interface, Plug and Play

General Specifications

Audio Parameters

Microphone Type : Digital Array Microphone

Microphone Array : 6 omnidirectional microphones form a circular array for 360 degree omnidirectional pickup

Pickup Distance : 3m

Sensitivity : -38 dBFS

Signal Noise Ratio : 65 dB(A)

Frequency Response : 50Hz - 16kHz

Sampling Rate : 32K sampling, high-definition broadband audio

Automatic Echo Cancellation (AEC) : Support

Automatic Noise Suppression (ANS) : Support

Automatic Gain Control (AGC) : Support

Cascade Function

Cascade Mode : PoE network cable

Hardware I/O

Network Interface : RJ45 up and down cascade network Interface

USB Interface : USB audio interface (Type-C), support UAC1.0 protocol, audio data communication, software upgrade and parameter configuration

Analog Audio : AUX1 , AUX2 line audio input and output

Generic Spec

Power Input : PoE cascade 48V power supply, support IEEE 802.3 at standard / USB 5V 500mA (single)

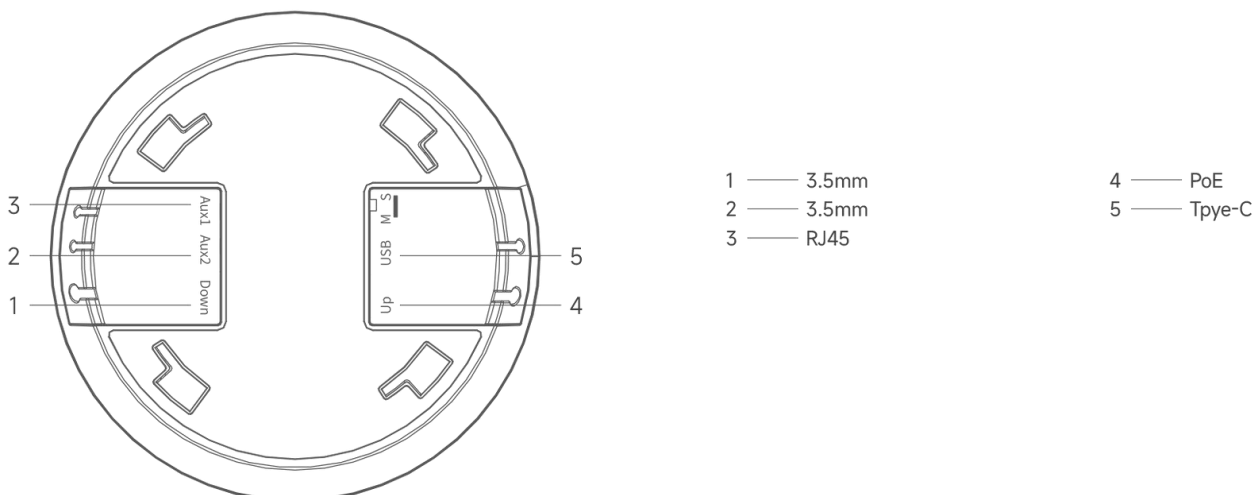
System : Windows / Mac / Linux

Installation Method : Desktop, lifting, wall mounted, ceiling mounted

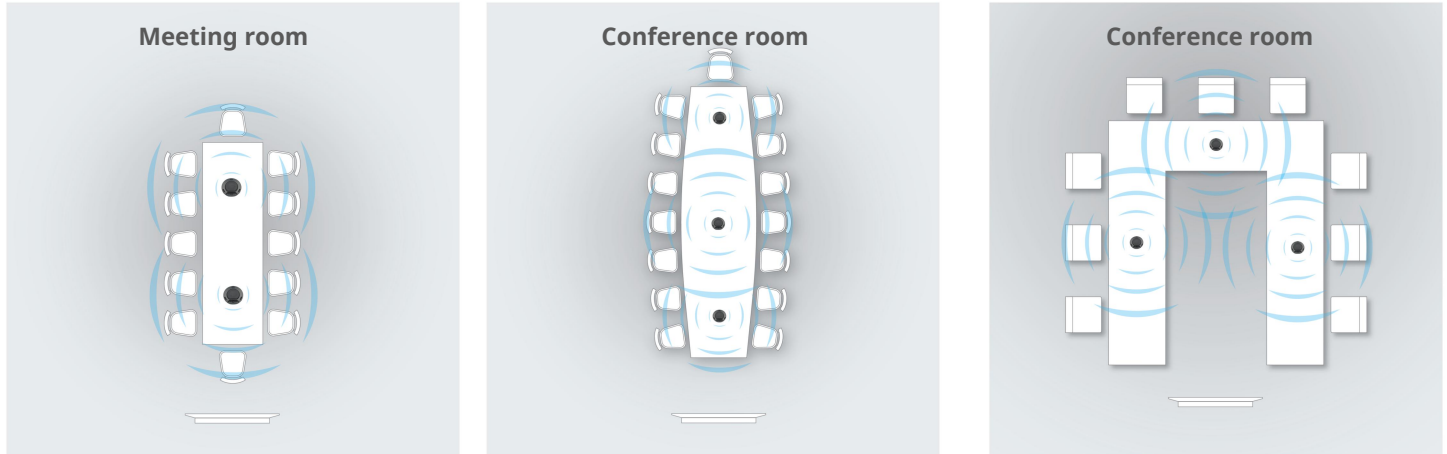
Dimension : 170 mm × H 40 mm

Net Weight : 370 g

Interface Diagram



Application Scenarios



Disclaimer:- Room setup diagrams provided for reference only. Actual room setup and size may vary as per requirements.

Ordering Information

PeopleLink Impact Digital Array Microphone :

SALES AND INQUIRIES

Global Headquarters

Q3-A3, 10th Floor Cyber Towers,
HITEC City, Hyderabad, Telangana
500081, India

Phone: +91 9100123013

Email: vc@peoplelinkvc.com

International Contact Numbers

USA: +1 669-696-8383

Australia: +61 370 037070

France: +33 6 80 75 26 42

Middle East: +966 5300 19292

UK: +44 20 4571 5454

UAE: +971 4 3339082

Canada: +1 647-945-7373

Malaysia: +(6)018-2872188

New Zealand: +64-9-802-4666

Africa: +254 107 529 656

Tech Support

Toll Free: 1800 208 3399

customersupport@peoplelinkvc.com